

## G-LHF PVC

**G-LHF PVC corner bead** for creation and protection of corners in drywall construction

### Material:

- PVC

### Features:

- Thin profile allows for application of thin layer of compound
- Ramp edges for smooth connection to compound
- Sharp corner for plaster finish
- Thin spot for angle adjustment
- Corner protection against mechanical damage

### Instructions for Use:

Fasten the bead using staples and apply the compound to the area and over the bead.

Application and shape adjustment must be done at the temperature of at least 10 °C (stabilized temperature of the material). Cutting (trimming) must be done using the dedicated Löwe cutter, on each wing separately.

### Packing, Storage, Transport:

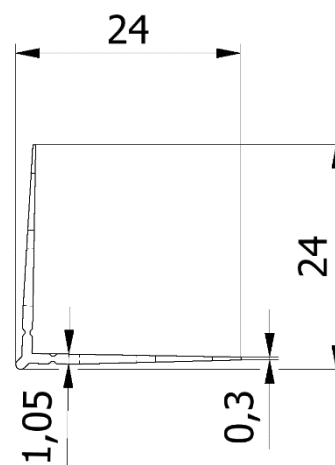
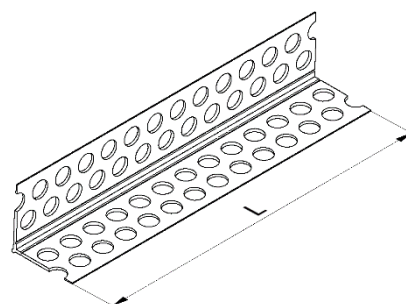
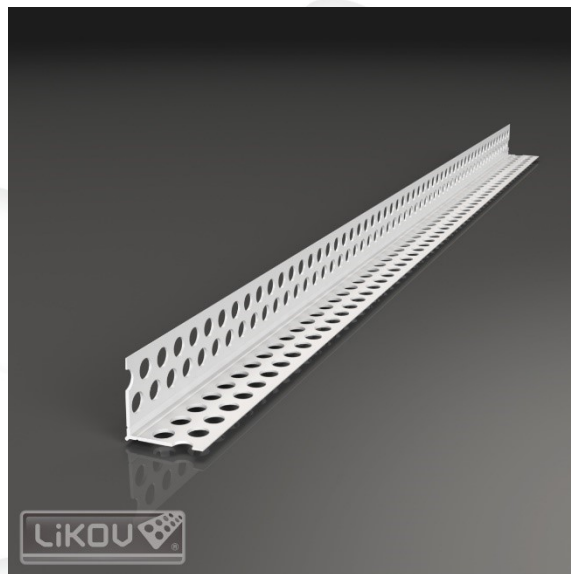
Packed in a paper box. Store and transport in a dry place at the temperature of at least 5 °C, in horizontal position.

### Certification:

The product is not subject to any harmonized standard.

### Technical Data:

Material	PVC
Arm thickness [mm]:	0,3 gradually to 1,05
Arm width [mm]	24
Length [mm]	2500



Issued on 28.1.2021.

The updated technical sheet supersedes the previous version. The stated dimensions of the product are nominal and may range within the allowable manufacturing tolerances.